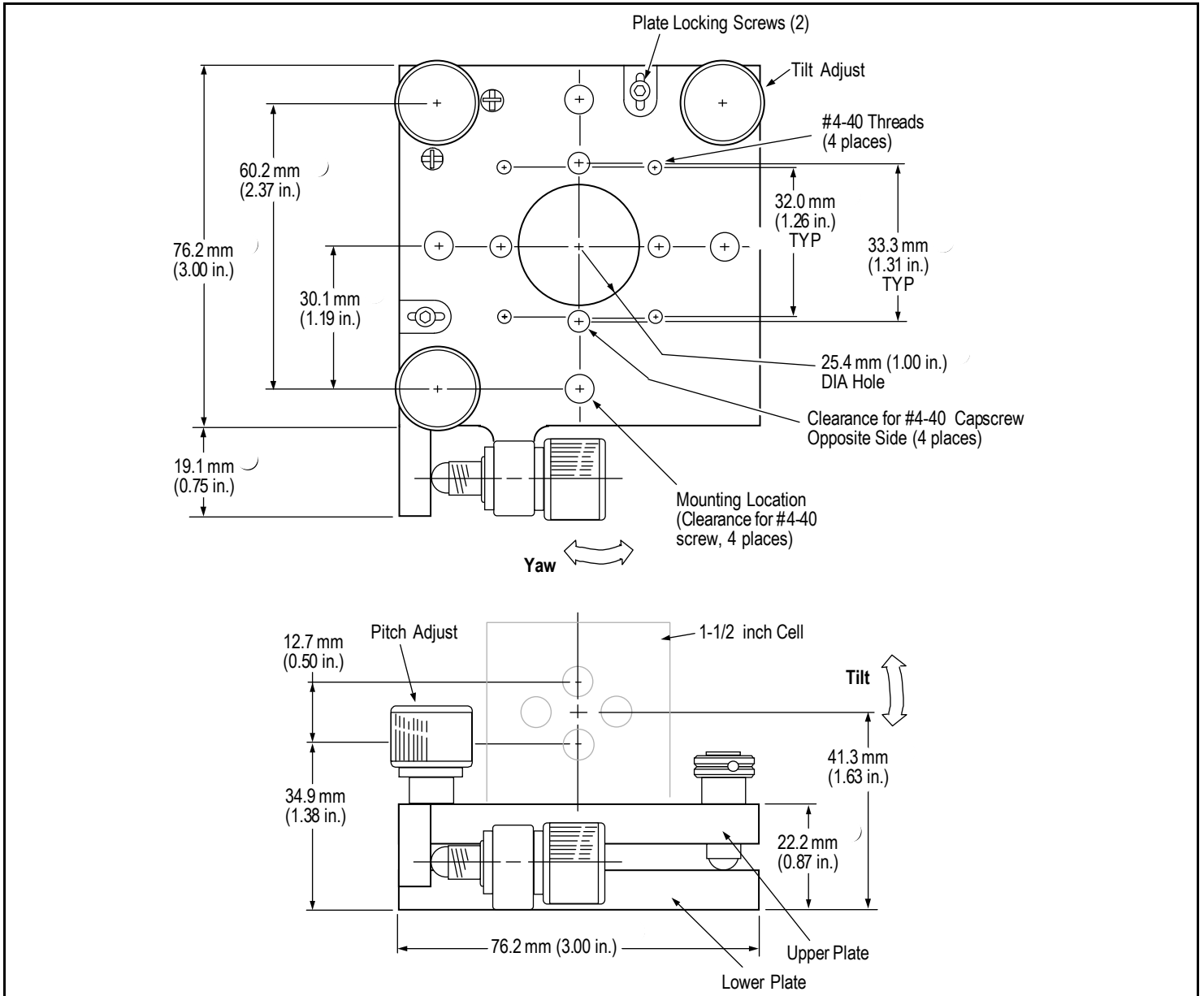


ZMI Precision Adjustable Mount

P/N	DESCRIPTION
6191-0310-01	Without adapter plate, for 1-1/2 inch optics
6191-0310-02	With adapter plate for 1-inch optics
6191-0310-03	With adapter plate for Compact 1-Axis
6191-0310-04	With adapter plate for Compact 2-Axis

ANGULAR ADJUSTMENT	
Yaw	± 2.5 degrees
Tilt	± 2.5 degrees
Pitch	± 2.5 degrees
Linear (vertical)	± 0.5 mm (0.02 in.)

PHYSICAL CHARACTERISTICS	
Dimensions	See Figure
Weight	794 grams (28.0 oz)
Materials	Magnetic stainless steel with electroless nickel plating

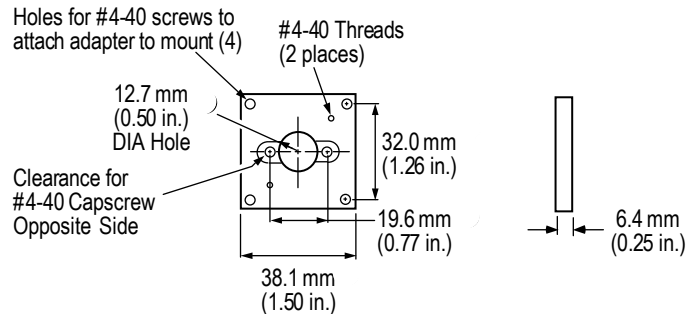


ZMI Precision Adjustable Mount

ADAPTER PLATES

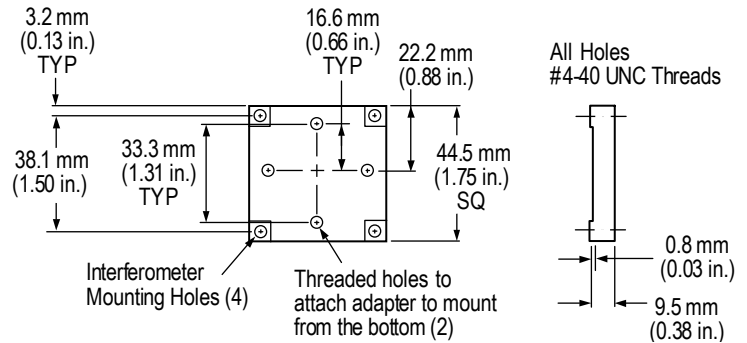
P/N	DESCRIPTION
6191-1494-01	Adapts mount for 1-inch square cell optical components

PHYSICAL CHARACTERISTICS	
Dimensions	See Figure
Weight	794 grams (28.0 oz)
Materials	Magnetic stainless steel with electroless nickel plating



P/N	DESCRIPTION
6191-1688-01	Adapts mount compact HSPMI

PHYSICAL CHARACTERISTICS	
Dimensions	See Figure
Weight	794 grams (28.0 oz)
Materials	Magnetic stainless steel with electroless nickel plating



P/N	DESCRIPTION
6191-1658-01	Adapts mount for compact 2-Axis HSPMI

PHYSICAL CHARACTERISTICS	
Dimensions	See Figure
Weight	794 grams (28.0 oz)
Materials	Magnetic stainless steel with electroless nickel plating

