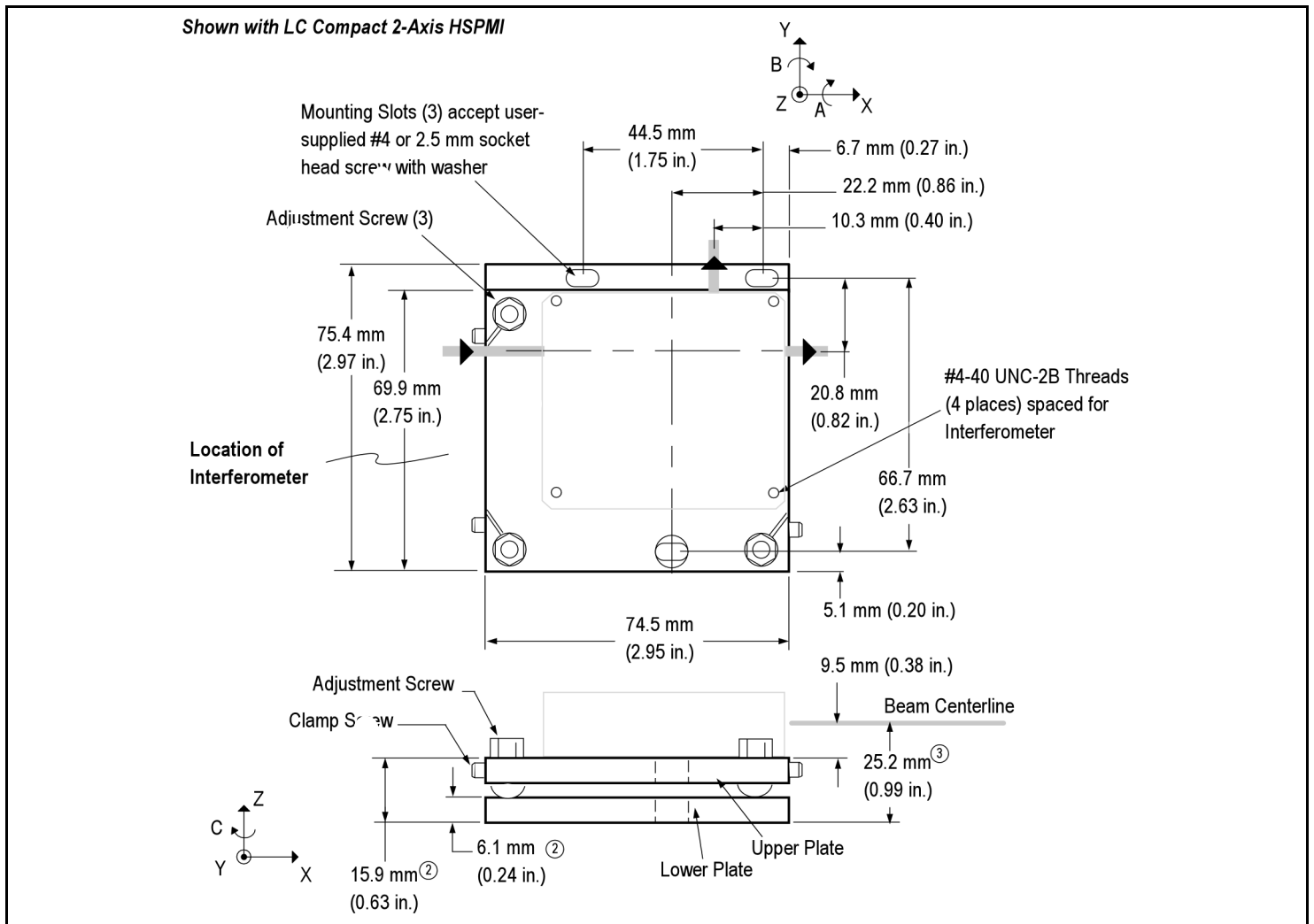


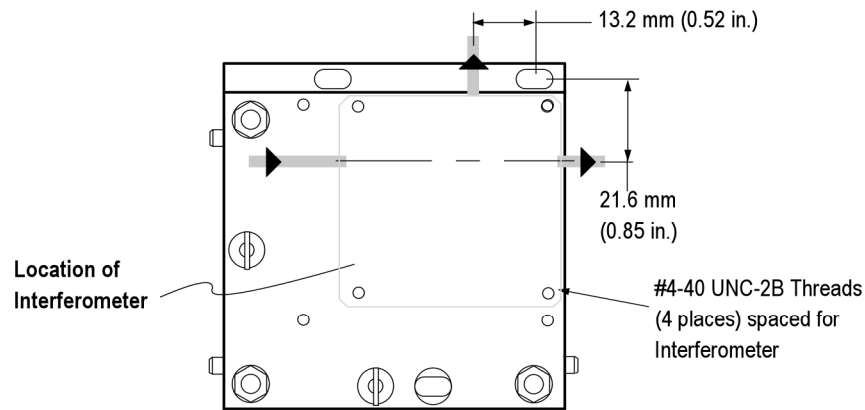
ZMI Compact Interferometer Mount, 2-Axis

P/N	DESCRIPTION	ADJUSTMENT RANGE	(from nominal location)
8050-0110-01	For mounting LC Compact 1-Axis or 2-Axis HSPMI.	<i>Axis</i>	<i>Range</i>
PHYSICAL CHARACTERISTICS		X	± 2 mm
Dimensions	See Figure	Y	+ 0.11 mm, -1 mm
Weight	510 grams (18.0 oz)	Z	± 0.75 mm
Materials	Upper and lower plates- Magnetic stainless steel Adjustment screws- Non-magnetic stainless steel	A	± 0.75°
Function	Use to mount the LC Compact 1-Axis or 2-Axis HSPMI	B	± 0.75°
Adjustment Screw Seat Finish	63 Ra max.	C	± 0.5°
Maximum Load Rating	242 grams (8.5 oz)		

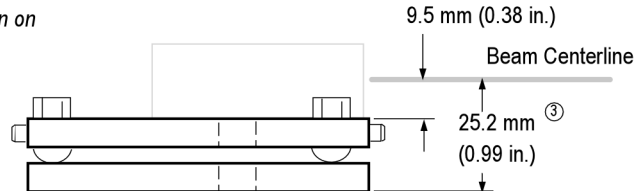


ZMI Compact Interferometer Mount, 2-Axis

Shown with LC Compact 1-Axis HSPMI



Only Beam Dimensions shown.
Other dimensions shown on
previous page.



Securing the mount:

1. Attach the mount to the mounting surface with user-supplied #4 or 2.5 mm socket screw and a washer, through each of the three mounting slots.
2. Tighten the screws to 80 in-oz (0.6 N•m) maximum.

Mounting interferometer to the mount:

1. Position the interferometer on the mount as indicated by the shaded outline in the drawing.
2. Attach the component to the mount with four #4-40 screws.
3. Tighten the screws to 40 in-oz (0.3 N•m) maximum.

Adjusting interferometer location:

1. Use mounting slots to adjust laterally and about the z-axis.
2. Use adjustment screws to adjust z-axis height and x-y tilt. Secure each adjustment screw with the corresponding clamp screw.



Make sure to loosen the clamping screw before to turning the adjustment screw.