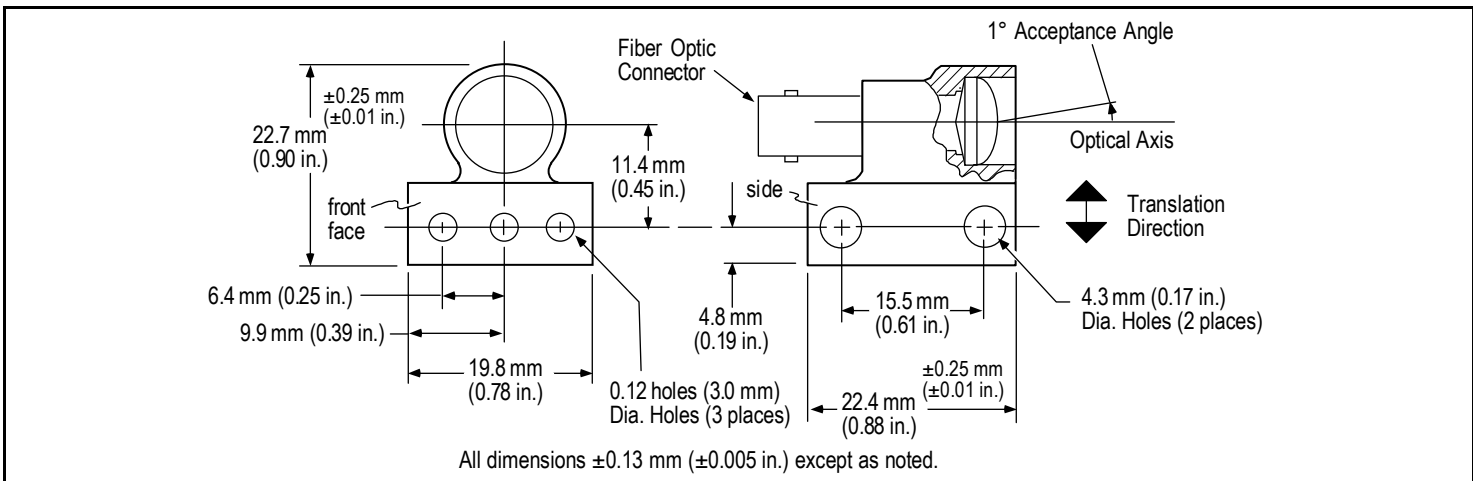


ZMI Fiber Optic Pickup, 9 mm

P/N	DESCRIPTION	ENVIRONMENTAL	
8040-0104-01	FOP with 9 mm aperture	Operating Temperature	0 to 50°C
PHYSICAL CHARACTERISTICS			
Dimensions	See Figure	Non-operating Temperature	-40 to 75°C
Weight	6 g (0.2 oz)	Operating Humidity	0 to 90%, noncondensing
Materials	Connector- Rython R-4 Housing- Thermocomp DF-1002 BK8-115	Non-operating Humidity	0 to 90%, noncondensing
Typical Translation Range	± 1 mm		
AC Efficiency	≥ 40% at 0° incidence and 0 mm offset		
MOUNTING SURFACES (FRONT FACE AND SIDES)			
Flatness	0.013 mm (0.0005 in.)		
Perpendicular and parallel to optical axis	0.025 mm (0.001 in.)		



Fiber Optic Pickup and Adapter Plate Options

Assembly P/N includes...	Fiber Optic Pickup	Adapter Plate	For Interferometer(s)
8040-0103-01	8040-0104-01	8040-1007-01	LI, PMI, HSPMI
8040-0103-02	8040-0104-01	none	user defined
8040-0103-03	8040-0104-01	6191-2104-01	DPMI
8040-0103-05	8040-0104-01	6191-2229-01	SBI