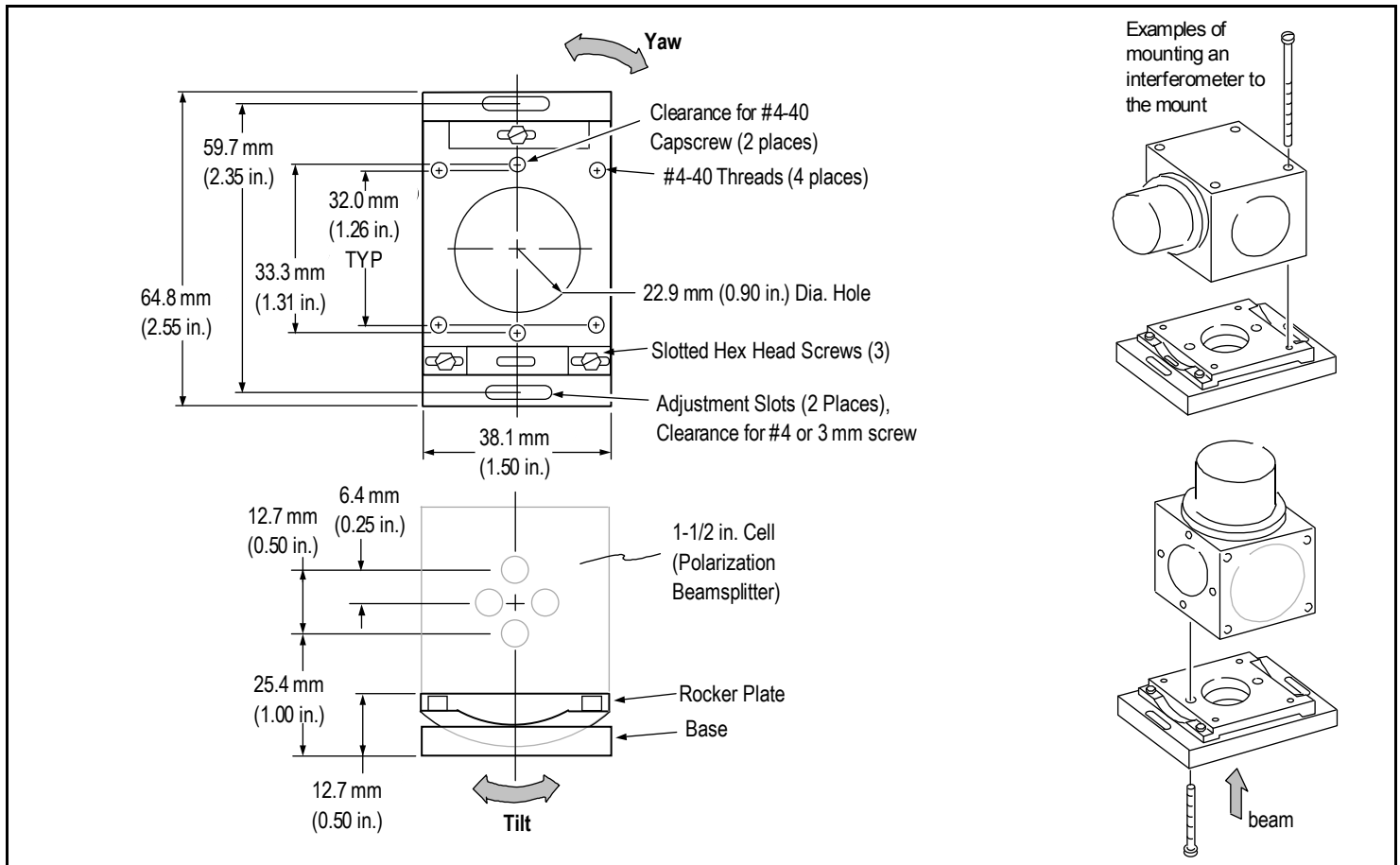


ZMI Interferometer Mount

P/N	DESCRIPTION	ANGULAR ADJUSTMENT	
6191-0446-01	Mount for 1-1/2 inch square optical components	Yaw	± 8 degrees
		Tilt	± 5 degrees

PHYSICAL CHARACTERISTICS	
Dimensions	See Figure
Weight	137 grams (5.0 oz)
Materials	Magnetic stainless steel
Function	Use to mount optical components with 1-1/2 inch square cells



Securing the mount:

1. Attach the mount to the mounting surface with a #4 or 3 mm socket screw and two washers through each mounting slot. Note that 2 standard flat washers (included) must be used between the adjustment slot and the screw head.
2. Tighten the screws to 80 in-oz (0.6 N•m) maximum.

Mounting component to the mount:

1. Position the optical component to the mount so the reflected beam rotates about the input laser beam.
2. Attach the component to the mount with two #4-40 screws.
3. Tighten the screws to 40 in-oz (0.3 N•m) maximum.

Adjusting component location:

1. *To adjust for Yaw* -
 - a. Slightly loosen mounting screws and rotate entire mount.
 - b. Tighten the mounting screws to 80 in-oz (0.6 N•m) maximum.
2. *To adjust for Tilt* -
 - a. Slightly loosen the single slotted hex head screw.
 - b. Alternately tighten and loosed the paired slotted hex head screws to rotate the interferometer in the appropriate direction.
 - c. Tighten the three slotted screws.