

ZMI 7702 Laser Head

P/N's	POWER	BEAM DIAMETER	MOUNT
8070-0102-31	>400 μ W	6 mm	Narrow
8070-0102-32		3 mm	
8070-0102-33	>400 μ W	6 mm	Wide
8070-0102-34		3 mm	
8070-0102-35	>525 μ W	6 mm	Narrow
8070-0102-36		3 mm	

PHYSICAL CHARACTERISTICS

Dimensions	See Figure
Weight	5.5 kg
Materials	Casting- Aluminum Narrow Feet- Ultem 2400
Nominal Cable Clearance	135 mm

ELECTRICAL

Power Requirements (max)	+15 VDC \pm 0.5 V @ 2.1 A -15 VDC \pm 0.5 V @ 1.2 A
Power Dissipation (max)	39 W during operation 50 W during warm-up

LASER CHARACTERISTICS

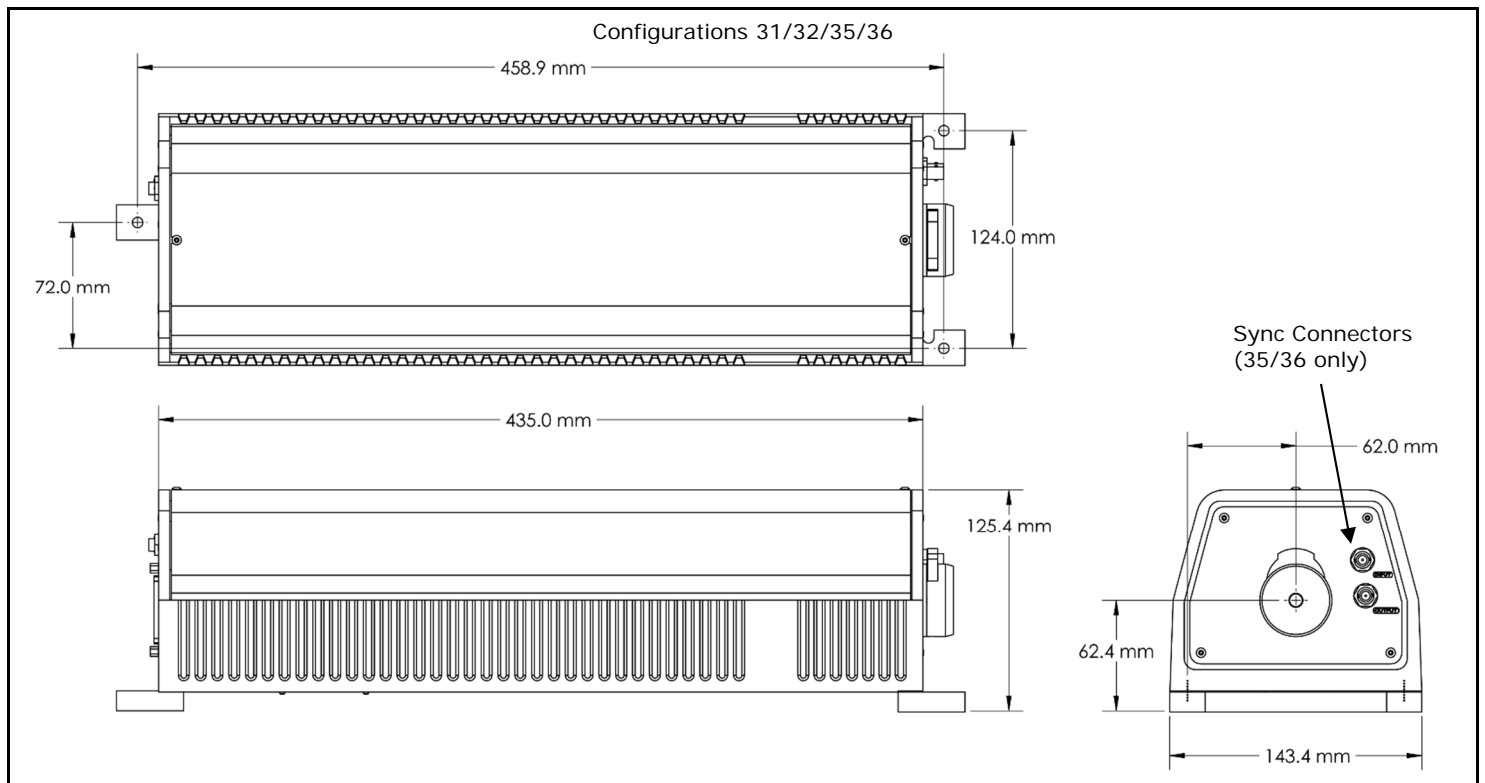
Type	Helium-Neon, CW, heterodyne, linearly polarized
Output Power	See P/N section
Beam Diameter	See P/N section

LASER CHARACTERISTICS CONTINUED

Beam Pointing Stability	<0.5 arc/ $^{\circ}$ C
Time from turn-on to laser light	<10 sec typical, 70 sec maximum
Time to wavelength stability	<10 minutes, typical
Frequency Difference	20 MHz \pm 1600 Hz
Nominal Vacuum Wavelength	F1: 632.991501 nm (vertical polarization) F2: 632.991528 nm (horizontal polarization)
Vacuum Wavelength Lifetime Accuracy	\pm 0.1 ppm
Vacuum Wavelength Stability	0.005 ppm/1 hr 0.01 ppm/24 hrs
DHHS Laser Safety Classification	Class II, conforms to NCDRH regulations

ENVIRONMENTAL

Operating Temperature	10 to 30 $^{\circ}$ C
Non-operating Temperature	-40 to 75 $^{\circ}$ C
Operating Humidity	0 to 90%, noncondensing
Non-operating Humidity	0 to 90%, noncondensing
Shock (non-operational)	11 msec 40g shock on each of three orthogonal axes



CAUTION
LASER RADIATION
DO NOT STARE INTO BEAM
HELIUM-NEON LASER
1.0 MILLIWATT MAXIMUM OUTPUT
CLASS II LASER PRODUCT



Zygo Corporation
Laurel Brook Road
Middlefield, CT 06455

Phone: 860-347-8506
Email: inquire@zygo.com
Website: www.zygo.com

SS-0079 02/20
© 2020 Zygo Corporation



ZMI 7702 Laser Head

Configurations 33/34

